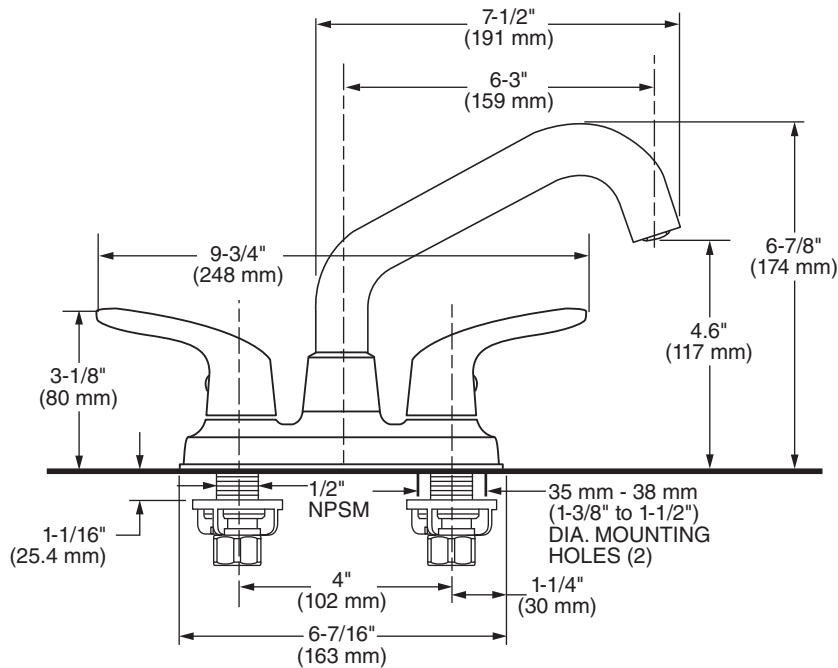


7074.140 Shown

MODEL NUMBER:

- 7074.140 Centerset Laundry Sink Faucet**
Lever handles. Aerator.
- 7074.240 Centerset Laundry Sink Faucet**
Lever handles. Hose end.



GENERAL DESCRIPTION:

Durable metal construction. 1/4 turn washerless ceramic disc valve cartridges. One-half inch male inlet shanks. Brass swivel spout (360° rotation). Available with hose end or aerator with 1.5 gpm/5.7 L/min. maximum flow rate.

PRODUCT FEATURES:

- Ceramic Disc Valve Cartridge:** Assures a lifetime of drip-free performance.
- Brass Swivel Spout:** Durable. Ideal for prolonged contact with water. Rotates 360°.
- Lead Free:** Faucet contains ≤ 0.25% total lead content by weighted average.
- Choice of Spout End:** Hose end or Aerator.

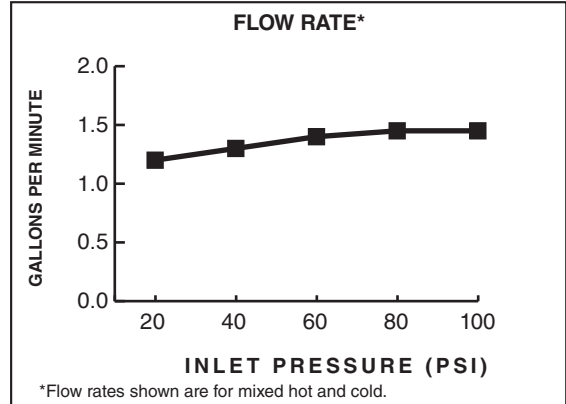
SUGGESTED SPECIFICATION

Two-handle centerset laundry sink faucet shall be metal construction with 1/2 inch male inlet shanks and coupling nuts. Shall also feature 1/4 turn washerless ceramic disc valve cartridges. Fitting shall be American Standard Model # 7074.

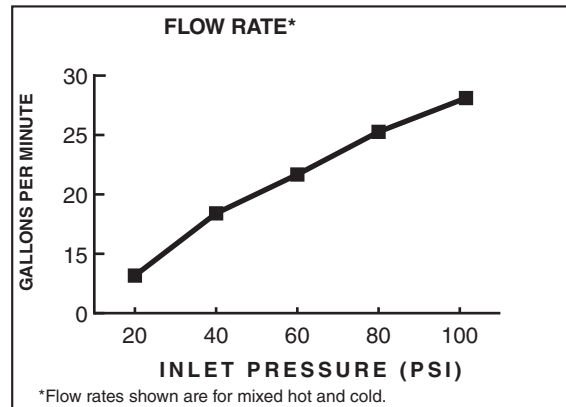
CODES AND STANDARDS

These products meet or exceed the following codes and standards:


- ANSI A117.1**
- ASME A112.18.1**
- CSA B125.1**
- NSF 61/Section 9**
- NSF 372**



1.5gpm/5.7 L/min. FLOW RATE



Product Number	Description	Finish
		Polished Chrome
		002
7074.140	Laundry Sink faucet. Lever handles. Aerator - 1.5 gpm/5.7 L/min. maximum flow rate	
7074.240	Laundry Sink faucet. Lever handles. Hose end.	

 Meets the American Disabilities Act Guidelines and **ANSI A117.1** Requirements for the physically challenged.